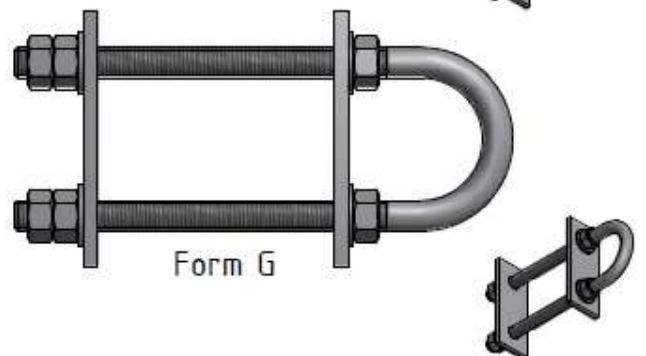
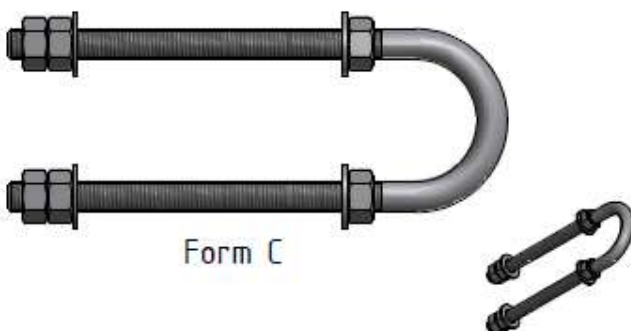
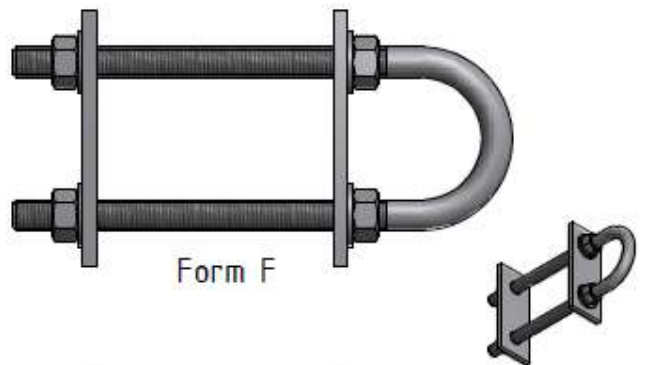
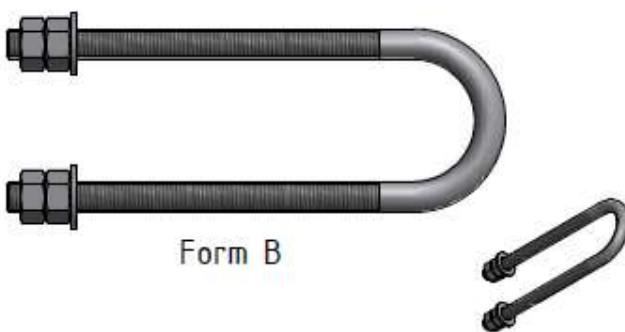
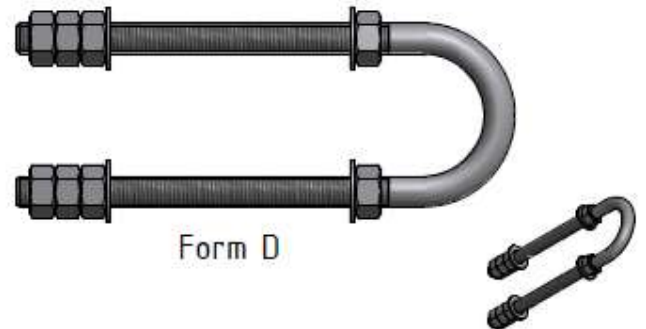
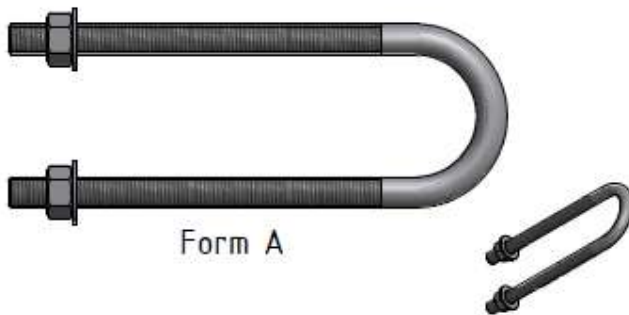
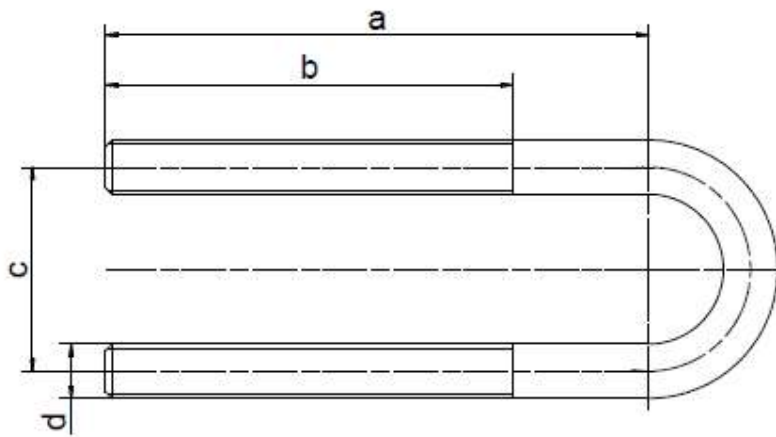


U-bolt

U-Bügel



U-bolt

U-Bügel

| Artikel-Nr. Part no. | Abmessungen [mm] | | / Dimensions [mm] | | Masse weight Kg/Stück |
|-------------------------|------------------|-----|-------------------|------|--------------------------|
| | a | b | c | d | |
| KBE-516-0500 | 100 | 50 | 50 | M 16 | 0,4 |
| KBE-516-500 | 120 | 60 | | | 0,5 |
| KBE-516-510 | 140 | 70 | | | 0,6 |
| KBE-516-520 | 160 | 80 | | | 0,6 |
| KBE-516-530 | 180 | 90 | | | 0,7 |
| KBE-516-540 | 200 | 100 | | | 0,8 |
| KBE-516-550 | 220 | 110 | | | 0,8 |
| KBE-516-560 | 240 | 120 | | | 0,9 |
| KBE-516-570 | 260 | 130 | | | 0,9 |
| KBE-516-5500 | 120 | 60 | | | 55 |
| KBE-516-5520 | 160 | 80 | 0,6 | | |
| KBE-516-5530 | 180 | 90 | 0,7 | | |
| KBE-516-5540 | 200 | 100 | 0,8 | | |
| KBE-516-5580 | 280 | 140 | 1,0 | | |
| KBE-516-5590 | 300 | 150 | 1,1 | | |
| KBE-516-0600 | 100 | 60 | 60 | | 0,5 |
| KBE-516-600 | 120 | 60 | | | 0,5 |
| KBE-516-610 | 140 | 70 | | | 0,6 |
| KBE-516-620 | 160 | 80 | | | 0,6 |
| KBE-516-630 | 180 | 90 | | | 0,7 |
| KBE-516-640 | 200 | 100 | | | 0,8 |
| KBE-516-660 | 240 | 120 | | | 0,9 |
| KBE-516-670 | 260 | 130 | | | 1,0 |
| KBE-516-680 | 280 | 140 | | | 1,0 |
| KBE-516-690 | 300 | 150 | | | 1,1 |
| KBE-516-6920 | 320 | 160 | | | 1,2 |
| KBE-516-6960 | 360 | 180 | | | 1,3 |
| KBE-516-6980 | 380 | 190 | | | 1,3 |
| KBE-516-6990 | 400 | 200 | | | 1,4 |
| KBE-516-6540 | 200 | 100 | 65 | | 0,8 |
| KBE-516-0700 | 100 | 80 | 70 | | 0,5 |
| KBE-516-700 | 120 | 60 | | | 0,5 |
| KBE-516-710 | 140 | 70 | | | 0,6 |
| KBE-516-720 | 160 | 80 | | | 0,7 |
| KBE-516-730 | 180 | 90 | | | 0,7 |
| KBE-516-740 | 200 | 100 | | | 0,8 |
| KBE-516-750 | 220 | 110 | | | 0,9 |
| KBE-516-760 | 240 | 120 | | | 0,9 |
| KBE-516-770 | 260 | 130 | | | 1,0 |
| KBE-516-780 | 280 | 140 | | | 1,1 |
| KBE-516-7560 | 240 | 120 | 75 | 0,9 | |
| KBE-516-7580 | 280 | 140 | | 1,1 | |
| KBE-516-7590 | 300 | 150 | | 1,1 | |
| KBE-516-800 | 120 | 60 | 80 | 0,6 | |
| KBE-516-820 | 160 | 80 | | 0,7 | |
| KBE-516-830 | 180 | 90 | | 0,8 | |
| KBE-516-860 | 240 | 120 | | 0,9 | |
| KBE-516-870 | 260 | 130 | | 1,0 | |
| KBE-516-880 | 280 | 140 | | 1,1 | |
| KBE-516-990 | 300 | 150 | 90 | 1,2 | |
| KBE-516-1070 | 260 | 130 | 100 | 1,1 | |
| KBE-516-1090 | 300 | 150 | | 1,2 | |
| KBE-516-1200 | 100 | 60 | 120 | 0,6 | |

U-bolt

U-Bügel

| Artikel-Nr. Part no. | Abmessungen [mm] | | / Dimensions [mm] | | Masse weight Kg/Stück |
|-------------------------|------------------|-----|-------------------|------|--------------------------|
| | a | b | c | d | |
| KBE-518-550 | 220 | 110 | 50 | M 18 | 1,0 |
| KBE-518-570 | 260 | 130 | | | 1,2 |
| KBE-518-580 | 280 | 140 | | | 1,3 |
| KBE-518-620 | 160 | 80 | 60 | | 0,8 |
| KBE-518-630 | 180 | 90 | | | 0,9 |
| KBE-518-640 | 200 | 100 | | | 1,0 |
| KBE-518-650 | 220 | 110 | | | 1,1 |
| KBE-518-660 | 240 | 120 | | | 1,1 |
| KBE-518-670 | 260 | 130 | | | 1,2 |
| KBE-518-690 | 300 | 150 | 1,4 | | |
| KBE-518-6540 | 200 | 100 | 65 | | 1,0 |
| KBE-518-720 | 160 | 80 | 70 | | 0,9 |
| KBE-518-740 | 200 | 100 | | | 1,0 |
| KBE-518-750 | 220 | 110 | | | 1,1 |
| KBE-518-770 | 260 | 130 | | | 1,2 |
| KBE-518-780 | 280 | 140 | | | 1,3 |
| KBE-518-7520 | 160 | 80 | 75 | | 0,9 |
| KBE-518-840 | 200 | 100 | 80 | | 1,0 |
| KBE-518-850 | 220 | 110 | | | 1,1 |
| KBE-518-8940 | 340 | 170 | | | 1,6 |
| KBE-518-8990 | 400 | 200 | | 1,8 | |
| KBE-518-1040 | 200 | 100 | 100 | 1,1 | |
| KBE-520-530 | 180 | 90 | 50 | M 20 | 1,1 |
| KBE-520-610 | 140 | 70 | 60 | | 0,9 |
| KBE-520-620 | 160 | 80 | | | 1,0 |
| KBE-520-630 | 180 | 90 | | | 1,1 |
| KBE-520-640 | 200 | 100 | | | 1,2 |
| KBE-520-650 | 220 | 110 | | | 1,3 |
| KBE-520-660 | 240 | 120 | | | 1,4 |
| KBE-520-670 | 260 | 130 | | | 1,5 |
| KBE-520-680 | 280 | 140 | | | 1,6 |
| KBE-520-6920 | 320 | 160 | | | 1,8 |
| KBE-520-6950 | 360 | 80 | | | 2,0 |
| KBE-520-700 | 120 | 60 | 70 | | 0,9 |
| KBE-520-710 | 140 | 70 | | | 1,0 |
| KBE-520-720 | 160 | 80 | | | 1,1 |
| KBE-520-730 | 180 | 90 | | | 1,2 |
| KBE-520-740 | 200 | 100 | | | 1,2 |
| KBE-520-750 | 220 | 110 | | | 1,3 |
| KBE-520-770 | 260 | 130 | | | 1,5 |
| KBE-520-780 | 280 | 140 | | | 1,6 |
| KBE-520-790 | 300 | 150 | | | 1,7 |
| KBE-520-7960 | 360 | 180 | | 2,0 | |
| KBE-520-7980 | 380 | 190 | 2,1 | | |
| KBE-520-0800 | 100 | 50 | 80 | 0,8 | |
| KBE-520-800 | 120 | 60 | | 0,9 | |
| KBE-520-810 | 140 | 70 | | 1,0 | |
| KBE-520-830 | 180 | 90 | | 1,2 | |
| KBE-520-840 | 200 | 100 | | 1,3 | |
| KBE-520-850 | 220 | 110 | | 1,4 | |
| KBE-520-860 | 240 | 120 | | 1,5 | |
| KBE-520-870 | 260 | 130 | | 1,6 | |
| KBE-520-880 | 280 | 140 | 1,7 | | |

U-bolt

U-Bügel

| Artikel-Nr. Part no. | Abmessungen [mm] | | Dimensions [mm] | | Masse weight Kg/Stück | |
|-------------------------|------------------|-----|-----------------|------|--------------------------|-----|
| | a | b | c | d | | |
| KBE-520-890 | 300 | 150 | 80 | M 20 | 1,8 | |
| KBE-520-8920 | 320 | 160 | | | 1,9 | |
| KBE-520-8950 | 370 | 150 | | | 2,1 | |
| KBE-520-910 | 140 | 70 | 90 | | 1,0 | |
| KBE-520-920 | 160 | 80 | | | 1,1 | |
| KBE-520-930 | 180 | 90 | | | 1,2 | |
| KBE-520-940 | 200 | 100 | | | 1,3 | |
| KBE-520-950 | 220 | 110 | | | 1,4 | |
| KBE-520-960 | 240 | 120 | | | 1,5 | |
| KBE-520-970 | 260 | 130 | | | 1,6 | |
| KBE-520-0100 | 100 | 50 | | | 100 | 0,9 |
| KBE-520-1010 | 140 | 70 | 1,1 | | | |
| KBE-520-1020 | 160 | 80 | 1,2 | | | |
| KBE-520-1030 | 180 | 90 | 1,3 | | | |
| KBE-520-1040 | 200 | 100 | 1,4 | | | |
| KBE-520-1050 | 220 | 110 | 1,5 | | | |
| KBE-520-1070 | 260 | 130 | 1,7 | | | |
| KBE-520-1080 | 280 | 140 | 1,8 | | | |
| KBE-520-1090 | 300 | 150 | 1,9 | | | |
| KBE-520-10920 | 320 | 160 | 2,0 | | | |
| KBE-520-10990 | 800 | 100 | 4,3 | | | |
| KBE-520-1220 | 160 | 80 | 120 | | | 1,2 |
| KBE-520-125950 | 320 | 300 | 125 | | 2,0 | |
| KBE-520-1350 | 340 | 250 | 130 | | 2,2 | |
| KBE-520-16570 | 260 | 130 | 165 | | 1,9 | |
| KBE-522-720 | 160 | 80 | 70 | | M 22 | 1,3 |
| KBE-522-730 | 180 | 90 | | | | 1,4 |
| KBE-522-760 | 240 | 120 | | | | 1,7 |
| KBE-522-820 | 160 | 80 | 80 | | | 1,3 |
| KBE-522-8570 | 260 | 130 | 85 | | | 1,9 |
| KBE-522-8580 | 280 | 140 | | 2,1 | | |
| KBE-522-9580 | 280 | 140 | 95 | 2,1 | | |
| KBE-522-1080 | 280 | 140 | 100 | 2,1 | | |
| KBE-524-730 | 180 | 90 | 70 | M 24 | | 1,7 |
| KBE-524-740 | 200 | 100 | | | | 1,8 |
| KBE-524-840 | 200 | 100 | 80 | | 1,9 | |
| KBE-524-850 | 220 | 110 | | | 2,0 | |
| KBE-524-1030 | 180 | 90 | 100 | | 1,8 | |
| KBE-524-1240 | 200 | 100 | 120 | | 2,1 | |
| KBE-530-750 | 220 | 110 | 70 | M 30 | 3,0 | |
| KBE-530-780 | 280 | 140 | | | 3,7 | |

U-bolt

U-Bügel

Execution:

Ausführung :

Form A

Form A

Steel, hot-dip galvanized
2 x Washer DIN 126, hot-dip galvanized
2 x Nut class 8 DIN 934, hot-dip galvanized

Stahl, feuerverzinkt
2 x Scheibe DIN 126, feuerverzinkt
2 x Muttern Güte 8 DIN 934, feuerverzinkt

Form B

Form B

Steel, hot-dip galvanized
2 x Washer DIN 126, hot-dip galvanized
4 x Nut class 8 DIN 934, hot-dip galvanized

Stahl, feuerverzinkt
2 x Scheibe DIN 126, feuerverzinkt
4 x Muttern Güte 8 DIN 934, feuerverzinkt

Form C

Form C

Steel, hot-dip galvanized
4 x Washer DIN 126, hot-dip galvanized
6 x Nut class 8 DIN 934, hot-dip galvanized

Stahl, feuerverzinkt
4 x Scheibe DIN 126, feuerverzinkt
6 x Muttern Güte 8 DIN 934, feuerverzinkt

Form D

Form D

Steel, hot-dip galvanized
4 x Washer DIN 126, hot-dip galvanized
8 x Nut class 8 DIN 934, hot-dip galvanized

Stahl, feuerverzinkt
4 x Scheibe DIN 126, feuerverzinkt
8 x Muttern Güte 8 DIN 934, feuerverzinkt

Form E

Form E

Steel, hot-dip galvanized
2 x Clamping plate, hot-dip galvanized
4 x Washer DIN 126, hot-dip galvanized
4 x Nut class 8 DIN 934, hot-dip galvanized

Stahl, feuerverzinkt
2 x Klemmplatten, feuerverzinkt
4 x Scheibe DIN 126, feuerverzinkt
4 x Muttern Güte 8 DIN 934, feuerverzinkt

Form F

Form F

Steel, hot-dip galvanized
2 x Clamping plate, hot-dip galvanized
4 x Washer DIN 126, hot-dip galvanized
4 x Nut class 8 DIN 934, hot-dip galvanized

Stahl, feuerverzinkt
2 x Klemmplatten, feuerverzinkt
4 x Scheibe DIN 126, feuerverzinkt
6 x Muttern Güte 8 DIN 934, feuerverzinkt

When ordering please quote the article number
from Table specify and shape

Bei Bestellung bitte Artikelnummer aus Tabelle
und Form angeben