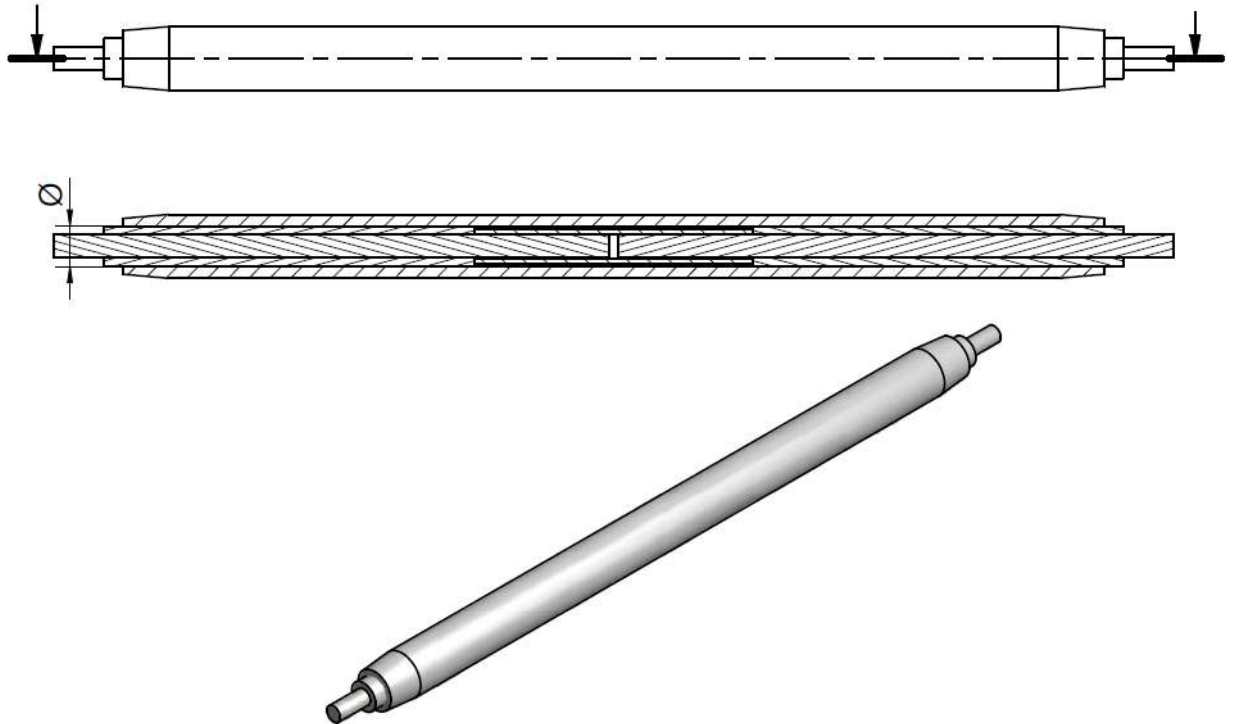


**Compression Type  
tension clamp**

**Pressverbinder, zugfest**



| Artikel-Nr.<br>Part no. | Seil / Rope                       |      |
|-------------------------|-----------------------------------|------|
|                         | Bezeichnung                       | Ø    |
| KBE-6733-44-32          | 44-AL1/32-ST1A<br>(Al/St 44/32)   | 11,2 |
| KBE-6733-50-30          | 51-AL1/30-ST1A<br>(Al/St 50/30)   | 11,7 |
| KBE-6733-95-15          | 94-AL1/15-ST1A<br>(Al/St 95/15)   | 13,6 |
| KBE-6733-95-55          | 97-AL1/56-ST1A<br>(Al/St 95/55)   | 16,0 |
| KBE-6733-150-25         | 149-AL1/24-ST1A<br>(Al/St 150/25) | 17,1 |
| KBE-6733-105-75         | 106-AL1/76-ST1A<br>(Al/St 105/75) | 17,5 |
| KBE-6733-185-30         | 184-AL1/30-ST1A<br>(Al/St 185/30) | 19,0 |
| KBE-6733-210-35         | 209-AL/34-ST1A<br>(Al/St 210/35)  | 20,3 |
| KBE-6733-230-30         | 231-AL1/30-ST1A<br>(Al/St 230/30) | 21,0 |
| KBE-6733-240-40         | 243-AL1/39-ST1A<br>(Al/St 240/40) | 21,8 |
| KBE-6733-265-35         | 264-AL1/34-ST1A<br>(Al/St 265/35) | 22,4 |

## Compression Type tension clamp

## Pressverbinder, zugfest

| Artikel-Nr.<br>Part no. | Seil / Rope                       |      |
|-------------------------|-----------------------------------|------|
|                         | Bezeichnung                       | Ø    |
| KBE-6733-340-30         | 339-AL1/30-ST1A<br>(Al/St 340/30) | 25,0 |
| KBE-6733-380-50         | 382-AL1/49-ST1A<br>(Al/St 380/50) | 27,0 |
| KBE-6733-560-50         | 562-AL1/49-ST1A<br>(Al/St 560/50) | 32,2 |

Execution  
Aluminium / Steel hot dip galvanized

Ausführung  
Aluminium / Stahl feuerverzinkt

Other types on request

Andere Ausführungen auf Anfrage