

**Compression-type tension clamp
With compression lugs**

**Press-Abspannklemmen
mit Flachanschlußhülse**

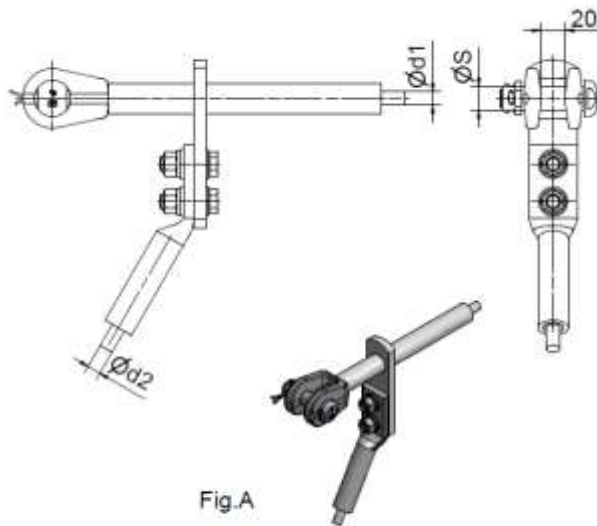


Fig.A

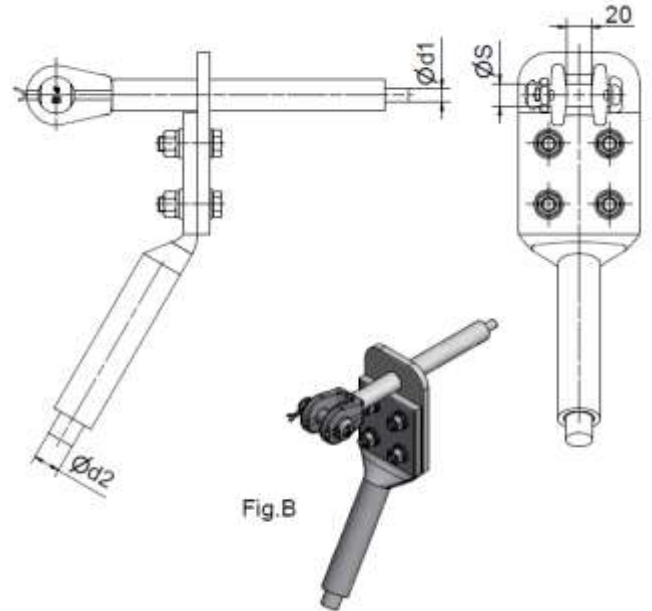


Fig.B

| Fig. | Artikel-Nr. Part no. | Seil / Rope | | | Abmessung [mm] Dimensions [mm] ØS | Press-Matrize / Comp. Code | | | Ith [kA] |
|------|-------------------------|-----------------------------------|------|------|---|-------------------------------|-----------|---------|-------------|
| | | Bezeichnung | Ød1 | Ød2 | | | | min. kN | |
| A | KBE-6701-112 | 44-AL1/32-ST1A (Al/St 44/32) | 11,2 | | 19 | | | | |
| A | KBE-6701-112-175 | 44-AL1/32-ST1A (Al/St 44/32) | 11,2 | 17,5 | | | | | |
| A | KBE-6701-117 | 51-AL1/30-ST1A (Al/St 50/30) | 11,7 | | | | | | |
| A | KBE-6701-160 | 97-AL1/56-ST1A (Al/St 95/55) | 16,0 | | | | | | |
| A | KBE-6701-175 | 106-AL1/76-ST1A (Al/St 105/75) | 17,5 | | | | | | |
| A | KBE-6701-180 | 122-AL1/71-ST1A (Al/St 120/70) | 18,0 | | | 3x | 30H - 30b | 300 | 25 |
| A | KBE-6701-190 | 184-AL1/30-ST1A (Al/St 185/30) | 19,0 | | | | | | |
| A | KBE-6701-218 | 243-AL1/39-ST1A (Al/St 240/40) | 21,8 | | | | | 36 | |
| A | KBE-6702-218 | 243-AL1/39-ST1A (Al/St 240/40) | 21,8 | | 22 | 3x | 30H - 30b | 300 | 50 |
| A | KBE-6701-224 | 264-AL1/34-ST1A (Al/St 265/35) | 22,4 | | 19 | | | | 36 |

**Compression-type tension clamp
With compression lugs**

**Press-Abspannklemmen
mit Flachanschlußhülse**

| Fig. | Artikel-Nr. Part no. | Seil / Rope | | | Abmessung [mm] Dimensions [mm] ØS | Press-Matrize Comp. Code | | | Ith [kA] |
|------|-------------------------|-------------------------------------|------|------|---|-----------------------------|-----------|---------|-------------|
| | | Bezeichnung | Ød1 | Ød2 | | | | min. kN | |
| B | KBE-6703-224-322 | 264-AL1/34-ST1A (Al/St 265/35) | 22,4 | 32,2 | 19 | 3x | 30H - 30b | 300 | 40 |
| A | KBE-6701-245 | 304-AL1/49-ST1A (Al/St 300/50) | 24,5 | | | 3x | 45H - 38b | 450 | |
| A | KBE-6701-260 | Aldrey 400 | 26,0 | | | 3x | 45H - 42b | 450 | |
| A | KBE-6701-322 | 562-AL1/49-ST1A (Al/St 560/50) | 32,2 | | | 4x | 45H - 52b | 450 | |
| A | KBE-6702-324 | 550-AL1/71-ST1A (Al/St 550/70) | 32,4 | | 22 | | | | 50 |
| A | KBE-6701-369 | Aldrey 800 | 36,9 | | 19 | 3x | 100H - 58 | 1000 | 40 |
| A | KBE-6701-430 | 1046-AL1/45-ST1A (Al/St 1045/45) | 43,0 | | | 3x | 100H - 62 | 1000 | |
| A | KBE-6702-430 | 1046-AL1/45-ST1A (Al/St 1045/45) | 43,0 | | 22 | | | | 50 |

Execution
Aluminium / Steel

Ausführung
Aluminium / Stahl

Other types on request

Andere Ausführungen auf Anfrage