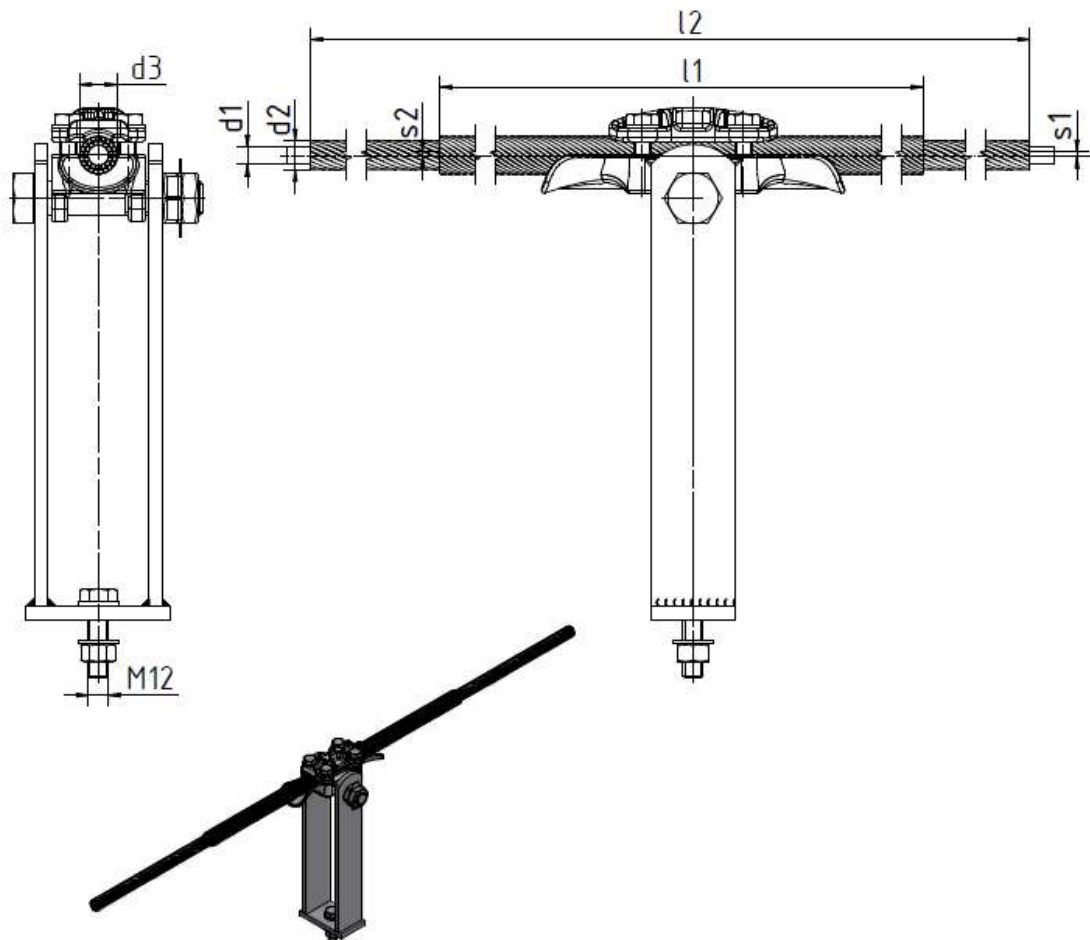


Tower feeding clamp

Masteinführungsklemme



Artikel-Nr. Part no.	Abmessungen [mm] / Dimensions [mm]							Masse weight kg/Stück
	d1	s1	l1	d2	s2	l3	d3	
KBE-350S-12A	11,1 – 12,4	2,59	1000	16,6 – 17,2	2,59	520	18,0 – 22,5	3,2
KBE-350S-13A	12,4 – 13,2	3,07		18,8 – 20,1			3,4	
KBE-350S-14A	13,2 – 14,0	2,59		20,1 – 21,5			3,4	
KBE-350S-16A	15,4 – 16,6	3,07		23,0 – 24,2			5,6	
KBE-350S-18A	17,8 – 18,8	-		25,0 – 25,8			4,8	
KBE-350S-25A	-	-	-	-	-	-	-	-
KBE-350S-164A	15,4 – 16,6	2,59	1000	21,5 – 23,0	3,07	520	24,0 – 27,0	3,4
KBE-350S-174A	17,2 – 17,8						27,0 – 33,0	5,4
KBE-350S-176A	17,2 – 17,8						27,0 – 33,0	5,4
KBE-350S-218A	21,5 – 23,0						33,0 – 37,2	5,4
KBE-350S-224A	21,5 – 23,0						33,0 – 37,2	5,4

Execution

Steel, hot-dip galvanized
Screw DIN 933, 8.8, hot-dip galvanized
Nut DIN 933, 8, hot-dip galvanized

Other types on request

Ausführung

Stahl, feuerverzinkt
Schrauben DIN 933, 8.8, feuerverzinkt
Mutter DIN 933, 8, feuerverzinkt

Andere Ausführungen auf Anfrage