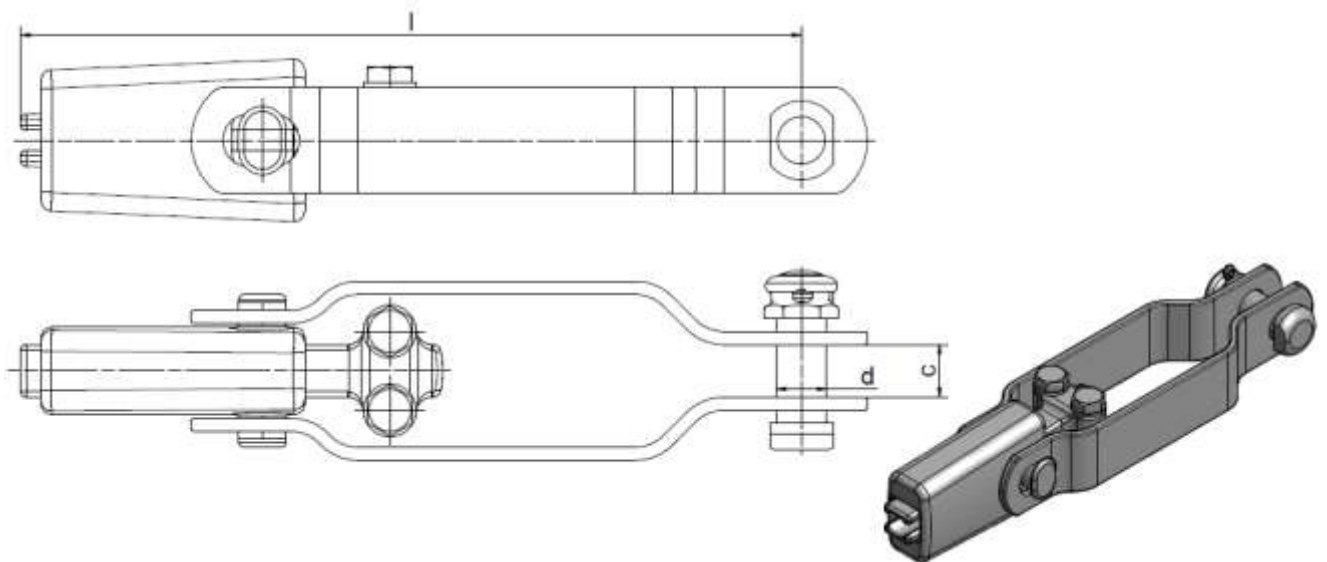


**Wedge-type tension clamps  
without bow**  
for Al and ACSR

**Keil-Abspannklemmen  
ohne Stromschlaufenführung**  
für Al und Al/St-Seile



| Artikel-Nr.<br>Part no. | Seil / Rope                       |      | Abmessungen [mm]<br>Dimensions [mm] |     |    | I <sub>th</sub><br>[kA] | F Nenn<br>[kN] | Masse<br>weight<br>kg/Stück |     |     |     |     |
|-------------------------|-----------------------------------|------|-------------------------------------|-----|----|-------------------------|----------------|-----------------------------|-----|-----|-----|-----|
|                         | Bezeichnung                       | Ø    | l                                   | d   | c  |                         |                |                             |     |     |     |     |
| KBE-6903-35-6D          | 34-AL1/6-ST1A<br>(Al/St 35/6)     | 8,1  | 295                                 | S13 | 20 | 16                      | 50             | 1,7                         |     |     |     |     |
| KBE-6904-50-8D          | 48-AL1/8-ST1A<br>(Al/St 50/8)     | 9,6  |                                     | S16 |    | 21                      |                |                             |     |     |     |     |
| KBE-6904-70-12D         | 70-AL1/11-ST1A<br>(Al/St 70/12)   | 11,7 |                                     |     |    | 28                      |                |                             | 100 |     |     |     |
| KBE-6904-95-15D         | 94-AL1/15-ST1A<br>(Al/St 95/15)   | 13,6 |                                     |     |    |                         |                |                             |     |     |     |     |
| KBE-6904-120-20D        | 122-AL1/20-ST1A<br>(Al/St 120/20) | 15,5 | 420                                 | S19 | 20 | 20                      | 60             | 1,7                         |     |     |     |     |
| KBE-6900-44-32D         | 44-AL1/32-ST1A<br>(Al/St 44/32)   | 11,2 | 295                                 |     |    |                         |                |                             | 30  | 100 | 4,0 |     |
| KBE-6900-50-8D          | 48-AL1/8-ST1A<br>(Al/St 50/8)     | 9,6  |                                     |     |    | 11,7                    | 295            | 60                          |     |     |     | 1,7 |
| KBE-6900-50-30D         | 51-AL1/30-ST1A<br>(Al/St 50/30)   | 11,7 | 420                                 |     |    |                         |                |                             | 20  | 60  | 1,7 |     |
| KBE-6900-70-12D         | 70-AL1/11-ST1A<br>(Al/St 70/12)   |      |                                     |     |    |                         |                |                             |     |     |     |     |
| KBE-6900-95-15D         | 94-AL1/15-ST1A<br>(Al/St 95/15)   | 13,6 | 420                                 |     |    | 30                      | 100            | 4,0                         |     |     |     |     |
| KBE-6900-120-20D        | 122-AL1/20-ST1A<br>(Al/St 120/20) | 15,5 |                                     |     |    |                         |                |                             | 420 | 30  | 100 | 4,0 |

**Wedge-type tension clamps  
without bow**  
for Al and ACSR

**Keil-Abspannklemmen  
ohne Stromschlaufenführung**  
für Al und Al/St-Seile

| Artikel-Nr.<br>Part no. | Seil / Rope                         |      | Abmessungen [mm]<br>Dimensions [mm] |     |    | I <sub>th</sub><br>[kA] | F Nenn<br>[kN] | Masse<br>weight<br>kg/Stück |      |
|-------------------------|-------------------------------------|------|-------------------------------------|-----|----|-------------------------|----------------|-----------------------------|------|
|                         | Bezeichnung                         | Ø    | l                                   | d   | c  |                         |                |                             |      |
| KBE-6900-95-55D         | 97-AL1/56-ST1A<br>(Al/St 95/55)     | 16,0 | 420                                 | S19 | 20 | 30                      | 100            | 4,0                         |      |
| KBE-6900-150-25D        | 149-AL1/24-ST1A<br>(Al/St 150/25)   | 17,1 |                                     |     |    |                         |                |                             |      |
| KBE-6900-240-40D        | 243-AL1/39-ST1A<br>(Al/St 240/40)   | 21,9 | 530                                 |     |    | 40                      | 200            | 6,6                         |      |
| KBE-6900-265-35D        | 264-AL1/34-ST1A<br>(Al/St 265/35)   | 22,4 |                                     |     |    |                         |                |                             |      |
| KBE-6900-300-50D        | 304-AL1/49-ST1A<br>(Al/St 300/50)   | 24,5 |                                     |     |    |                         |                | 6,4                         |      |
| KBE-6900-435-55D        | 434-AL1/56-ST1A<br>(Al/St 435/55)   | 28,8 | 735                                 |     |    | S22                     | 50             | 240                         | 11,5 |
| KBE-6902-435-55D        | 434-AL1/56-ST1A<br>(Al/St 435/55)   | 28,8 |                                     |     |    |                         |                |                             |      |
| KBE-6900-560-50D        | 562-AL1/49-ST1A<br>(Al/St 560/50)   | 32,2 |                                     |     |    |                         |                |                             |      |
| KBE-6900-1045-45D       | 1046-AL1/45-ST1A<br>(Al/St 1045/45) | 43,0 | 830                                 |     |    |                         |                |                             |      |

Execution

Clamp body aluminum alloy  
Steel hot-dip galvanized  
Screws for version D from A2-80 or A4-80  
otherwise 8.8 galvanized

Other types on request

Ausführung

Klemmkörper aus Aluminiumlegierung  
Stahlteile feuerverzinkt  
Schrauben bei Ausführung D aus A2-80  
oder A4-80, sonst 8.8 tZn

Andere Ausführungen auf Anfrage